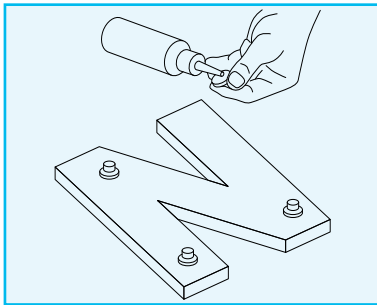
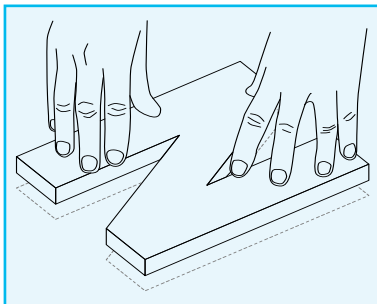


Manual for mounting Acrylic, Dibond and PVC letters

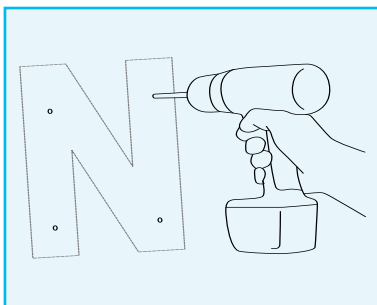
Always use stainless steel screws. Turn screw not to tight and than 1/4 turn back. Distant holders can only be used for mounting acrylic, dibond and PVC Letters. The Click Fix distant holders are not suitable for mounting large plates.



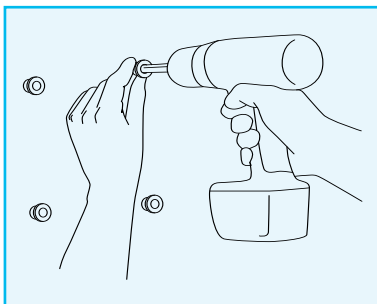
Spread the pegs on the backside of the letter every 10 cm and with letters smaller than 300 mm at least 3 pieces must be used. Use only frost resistant glue that dries quickly. Make sure that both surfaces are dry and not greasy.



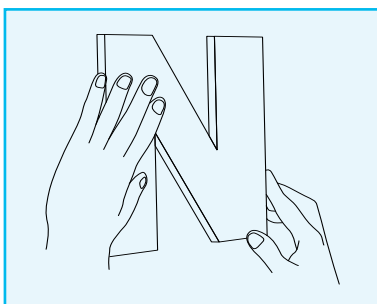
Put the letters exactly on the paper print and press the dots of the pegs in the paper.



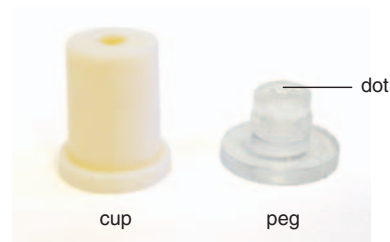
Place the paper print against the wall and drill the holes on the wall through the paper print in the wall.



Put plugs in the holes and screw the cups (white distant holders) against the wall. Turn the screws 1/4 turn back.

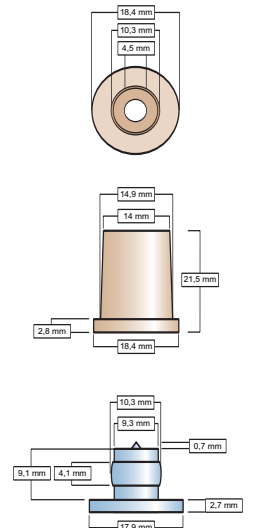


Place the letter and push the pegs in the cups until it 'Clicks'.



Click Fix 215 (large)

Packed per 250 sets of cups and pegs in sacks. Total height is 24 mm.



Click Fix 175 (small)

Packed per 250 sets of cups and pegs in sacks. Total height is 21 mm.

